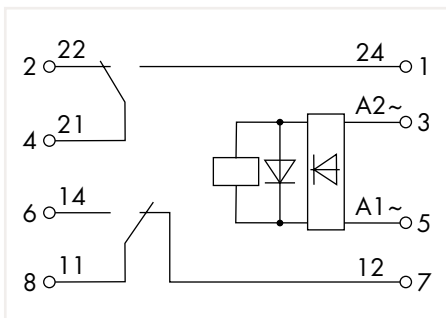
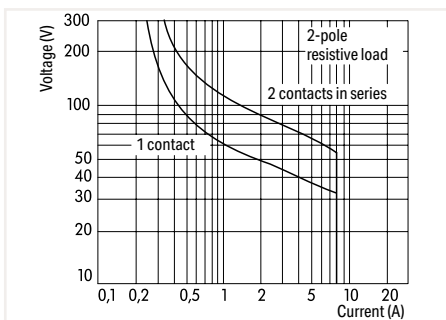
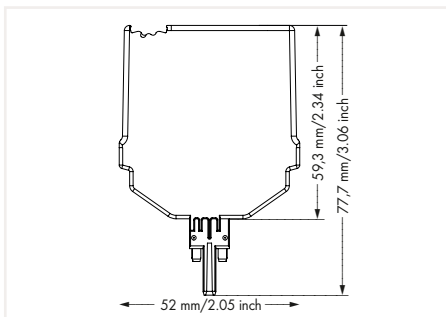


# Relay Module 2042 Series



Relay Module; Relay with 2 changeover contacts;  
24 ... 230 VAC/DC; Status indicator: green

$U_N$	$I_N$	Item No.	Pack. Unit
24 ... 230 V AC/DC	49.1 ... 2.9 mA	2042-3849	4



DC Load Limit Curve

### Control Circuit

Input voltage range	±10 %
---------------------	-------

### Load Circuit

Number of changeover/switchover contacts	2
Contact material	AgNi
Limiting continuous current	5 A
Inrush current (resistive) max.	15 A (AC) / 4 s
Switching voltage (max.)	250 VAC
Switching power (resistive) max.	1250 VA (AC); DC see load limit curve
Recommended minimum load	12 V / 10 mA
Pull-in time (typ.)	8 ms
Drop-out time (typ.)	6 ms
Bounce time (typ.)	4 ms
Electrical life (NO; resistive load; 23 °C)	100 x 10 <sup>9</sup> switching operations
Mechanical life	10 x 10 <sup>6</sup> switching operations

### Signaling

Status indicator	Green LED
------------------	-----------

### Safety and Protection

Rated voltage	250 V
Rated surge voltage	4 kV
Pollution degree	2
Dielectric strength, control/load circuit (AC, 1 min)	3 kV <sub>rms</sub>
Dielectric strength, open contact (AC, 1 min)	1 kV <sub>rms</sub>
Dielectric strength channel/channel (AC, 1 min)	2.5 kV <sub>rms</sub>
Protection type	IP20

### Physical Data

Width	20.7 mm / 0.815 inch
Height	77.7 mm / 3.059 inch
Height from the surface	59.3 mm / 2.335 inch
Depth	52 mm / 2.047 inch

### Mechanical Data

Mounting type	Pluggable module for TOPJOB® S Carrier Terminal Block
---------------	---

### Material Data

Weight	76.4 g
--------	--------

### Environmental Requirements

Surrounding air temperature (operation at $U_N$ )	-40 ... +70 °C
Surrounding air temperature (storage)	-40 ... +85 °C
Processing temperature	-25 ... +50 °C

### Standards and Specifications

Standards/specifications	EN 61010-2-201; EN 61373; EN 50121-3-2
--------------------------	--